

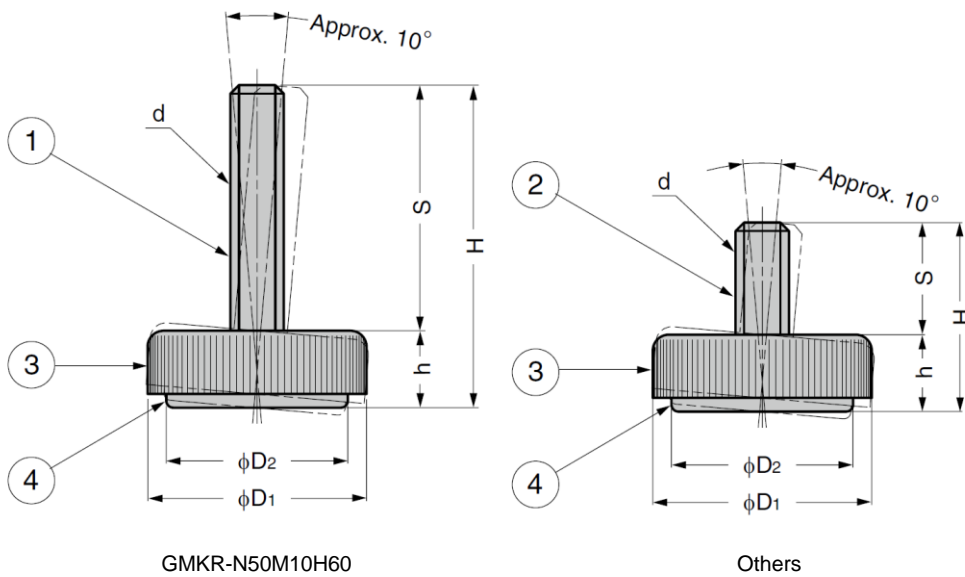
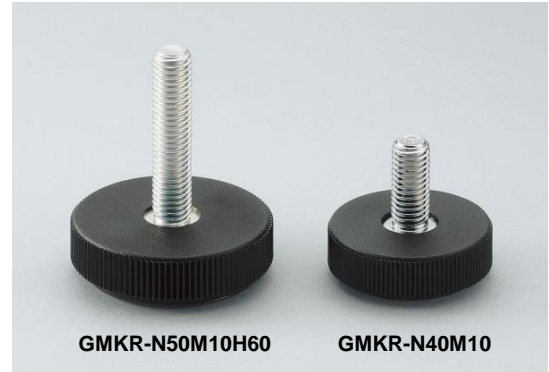
GMKR-N Levelling Glide (With Swivel)

Features

- Swivels approximately 10° to compensate for uneven floors
- With swivel function to distribute the load evenly for excellent durability
- Double structure of cover/bolt and base allow easy height adjustment without lifting the leg
- Levelling glide with elastomer base to prevent from skidding and scratching the floor

Notes

- If the levelling glide can not be turned by hand, slightly lift it to adjust



No.	Part Name	Material	Finish/Colour
①	Body	Steel (SWCH)	Coloured Zinc Chromate (Trivalent)
②			Chrome
③	Cover	PA	Black
④	Base	Elastomer (TPE)	

Part No.	d	D ₁	D ₂	H	h	S	Load Capacity (per piece)	
GMKR-N32M10	M10	32	27	36	14	22	588 N	60 kg
GMKR-N40M10		41	34	37	15		686 N	70 kg
GMKR-N50M10		51	44	37.5	15.5	44.5	784 N	80 kg
GMKR-N50M10H60				60				